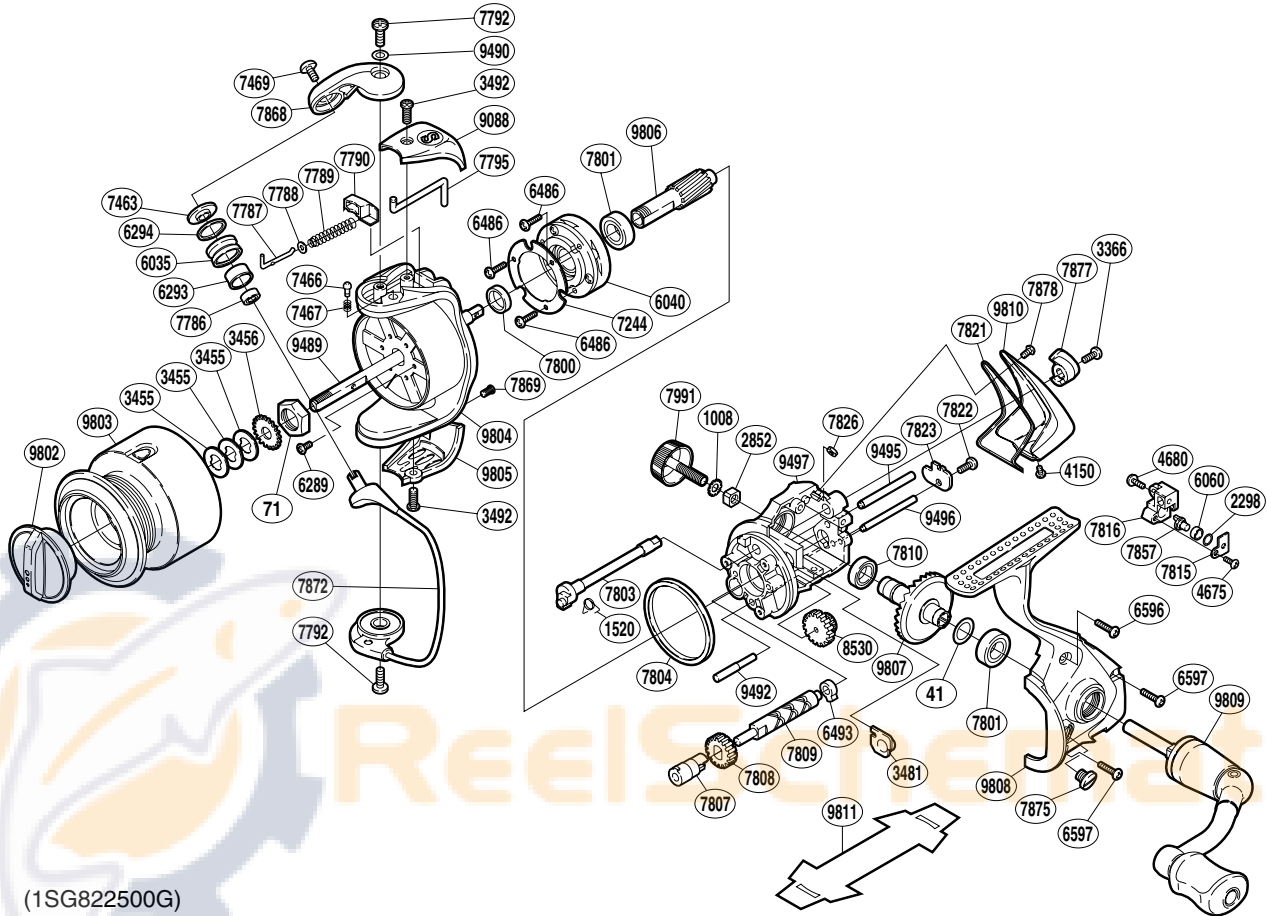


SHIMANO®

TECHNIUM ⚙️ A-RB

TEC-2500MGS



(1SG822500G)

Part No.	Description	Part No.	Description	Part No.	Description
RD 0041	Washer	RD 7466	Click Pin	RD 7869	Screw
RD 0071	Rotor Nut	RD 7467	Click Spring	RD 7872	Bail Assembly
RD 1008	Handle Lock Washer	RD 7469	Screw	RD 7875	Oil Cap
RD 1520	Anti-Reverse Cam Spring	RD 7786	Ball Bearing	RD 7877	Anti-Reverse Lever
RD 2298	Spacer	RD 7787	Bail Spring Guide A	RD 7878	Screw
RD 2852	Handle Screw Lock	RD 7788	Spring Guide A Support	RD 7991	Handle Screw Cap
RD 3366	Screw	RD 7789	Bail Spring	RD 8530	Idle Gear B
RD 3455	Spool Washer	RD 7790	Bail Spring Seat	RD 9088	Bail Spring Cover
RD 3456	Spool Support	RD 7792	Screw	RD 9489	Main Shaft
RD 3481	Bushing	RD 7795	Bail Trip Lever	RD 9490	Washer
RD 3492	Screw	RD 7800	Rotor Ring	RD 9492	Idle Gear B Shaft
RD 4150	Screw	RD 7801	Ball Bearing	RD 9495	Oscillating Guide B
RD 4675	Screw	RD 7803	Anti-Reverse Cam	RD 9496	Oscillating Guide A
RD 4680	Screw	RD 7804	Friction Ring	RD 9497	Body
RD 6035	Line Roller	RD 7807	Worm Bushing (front)	RD 9802	Drag Knob
RD 6040	Roller Clutch Assembly	RD 7808	Idle Gear	RD 9803	Spool Assembly
RD 6060	Oscillating Slider Bushing	RD 7809	Worm Shaft	RD 9804	Rotor
RD 6289	Screw	RD 7810	Ball Bearing	RD 9805	Bail Hold Support Guard
RD 6293	Line Roller Bushing	RD 7815	Oscillating Pawl Cover	RD 9806	Pinion Gear
RD 6294	Line Roller Spacer	RD 7816	Oscillating Slider	RD 9807	Drive Gear
RD 6486	Screw	RD 7821	Rear Shield	RD 9808	Side Cover
RD 6493	Worm Bushing (rear)	RD 7822	Screw	RD 9809	Handle Assembly
RD 6596	Screw	RD 7823	Worm Shaft Retainer	RD 9810	Rear Protector
RD 6597	Screw	RD 7826	Nut		
RD 7244	Roller Clutch Reinforce	RD 7857	Oscillating Pawl		
RD 7463	Line Roller Washer	RD 7868	Bail Arm	RD 9811	Reel Seat Spacer